

DMG-S32E24

320 Dots X 240 Dots

1/240 Duty

1/17 Bias

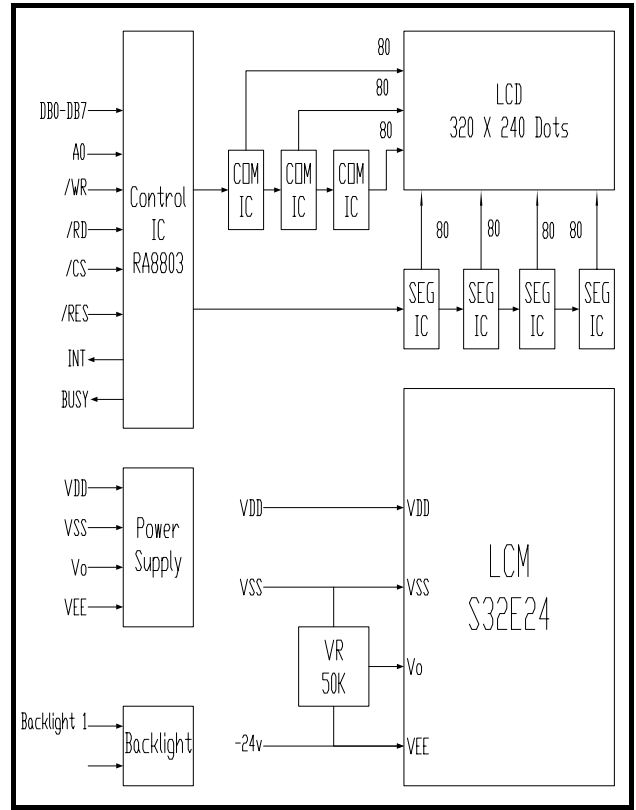
FEATURE	
LCD TYPE	STN , FSTN
LCM CONTROLLER IC	RA8803 or Equivalent
NUMBER OF CHARACTER	20 CHARACTERS X 15 LINES (320*240Dots)
CHARACTER FORMAT	16X16 Dots
CHINESE CODE SYSTEM	BIG-5 or GB Code
LCM BACKLIGHT TYPE	LED
POWER SUPPLY FOR LCM	DC +5V
LED BACKLIGHT INPUT	DC +5V
LCM DIMENSION	160.0 (W) X 109.0 (H) mm
LCM VIEWING	122.0 (W) X 92.0 (H) mm
ACTIVE DISPLAY AREA	115.17 (W) X 86.37 (H) mm
LCD DOT SIZE	0.33 (W) X 0.33 (H) mm
LCD DOT PITCH	0.36 (W) X 0.36 (H) mm

ELECTRICAL						
ITEM	SYM.	CONDITION	MIN.	TYP.	MAX.	UNIT
Supply Voltage For Logic	V _{DD-VSS}	Ta=25°C	4.5	5.0	5.5	V
Supply Voltage For LCD Driver	V _{LCD}	Ta=25°C	22.7	23.0	23.3	V
Input High Voltage	V _{IH}	--	2.2	--	V _{DD}	V
Input Low Voltage	V _{IL}	--	0	--	0.6	V
Supply Current For Logic	I _{DD}	V _{DD} =+5V	--	9.0	12.0	mA
LED Current	I _F	Ta=25°C	--	208	--	mA

ABSOLUTE MAXIMUM RATINGS					
ITEM	SYM.	MIN.	TYP.	MAX.	UNIT
OPERATING TEMP.	T _{OP}	-20	--	+70	°C
STORAGE TEMP.	T _{ST}	-30	--	+80	°C
INPUT VOLTAGE	V _I	V _{SS}	--	V _{DD}	V
SUPPLY VOL. FOR LOGIC	V _{DD-VSS}	--	5.0	6.5	V
SUPPLY VOL. FOR LCD	V _{DD-Vo}	--	23.0	28.0	V

INTERFACE PIN CONNECTIONS			
NO.	SYM.	LEVEL	FUNCTION
1	LED-A	--	LED-A (DC+5.0V)
2	VSS	--	GND(0V)
3	VDD	--	VDD(+5V)
4	Vo	--	Contrast Adjust
5	/WR	L	DATA Write
6	/RD	L	DATA Read
7	A0	H/L	Data/Instruction code
8	/CS	L	CHIP select
9	VEE	--	Negative voltage output
10	/RES	L	Reset signal
11	DB0	H/L	Data Bit0
12	DB1	H/L	Data Bit1
13	DB2	H/L	Data Bit2
14	DB3	H/L	Data Bit3
15	DB4	H/L	Data Bit4
16	DB5	H/L	Data Bit5
17	DB6	H/L	Data Bit6
18	DB7	H/L	Data Bit7
19	BUSY	--	Busy Signal
20	INT	--	Interrupt Signal
21	LED-A	--	LED-A (DC+5.0V)
22	LED-K	--	LED-K (DC 0V)

BLOCK DIAGRAM



DIMENSIONAL DRAWING

